

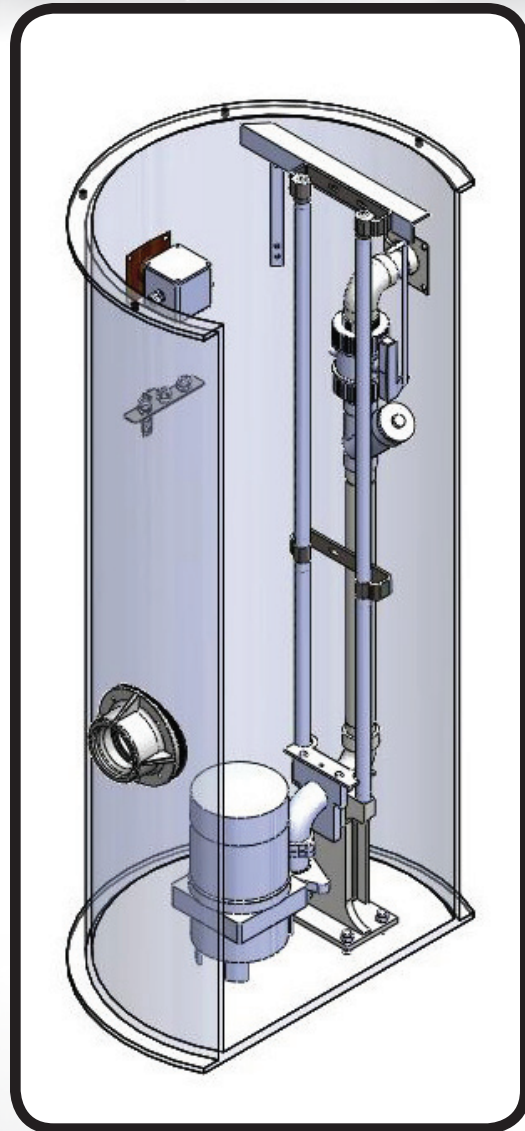
Model: PFSFB - Simplex Basin Package

Features:

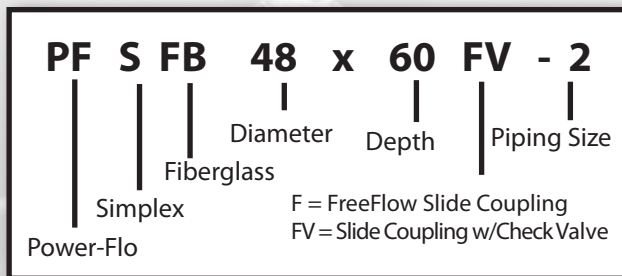
For use with 1½", 1¼", 2" or 3" Discharge Sewage and Effluent pumps.
Use drawing on following page to select components, sizes and materials.
Package Systems done on "AS QUOTE" only.

- **BASIN:** Fiberglass with 3" Anti-Flotation Flange
- **DISCHARGE PIPING:** 304 Stainless Steel, Sch 40 Galvanized Steel or Sch 80 PVC Piping
- **INLET:** 4" Hub, Shipped Loose
- **ELECTRICAL HUB:** Stainless Steel or Enameled Steel Bolt-on Coupling
- **COVER:** Solid or Hinged Lockable Covers in Fiberglass, Aluminum or Steel
- **GATE VALVE:** Brass or Sch80 PVC
- **CHECK VALVE:** Ball, Cast Iron or Sch80 PVC. 3" supplied with brass swing check valve
- **EXTENSION HANDLE:** 3/8", 304 Stainless Steel
- **LIFTING CABLE:** 3/16", 304 Stainless Steel, or Galvanized Steel
- **SLIDE COUPLING:** Powder coated ductile iron and stainless steel
- **LEVEL CONTROLS:** Supplied separately
- **GUIDE RAILS:** 3/4" or 1" Dia., Stainless Steel or Galvanized
- **FLOAT BRACKET:** Stainless Steel with 3 Cord Grips, Standard
- **VENT:** 2" NPT Stainless Steel Bolt-on Coupling
- **WARRANTY:** 1 year

BASIN PACKAGE MODEL DESIGNATION: Example: PFSFB48x60FV-2



Typical Simplex Basin Package for Illustration Only



Simplex Basin Packages
Various Dia. x
Various Depths
1¼", 1½", 2" or 3" NPT
Discharge

Accessories - Simplex Basin Package

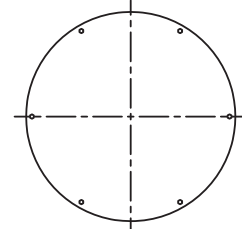
PUMP INFORMATION

- Type: Effluent Pumps
 Sewage Pumps
 Grinder Pumps

DISCHARGE PIPE

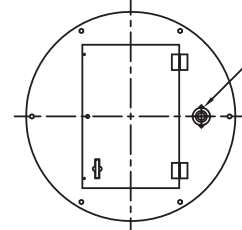
- 1 1/4"
 1 1/2"
 2"
 3"

- Anti-Floatation Flange
 Fiberglass Encapsulated
 ASTM A-36 Steel
 Round Fiberglass
 None



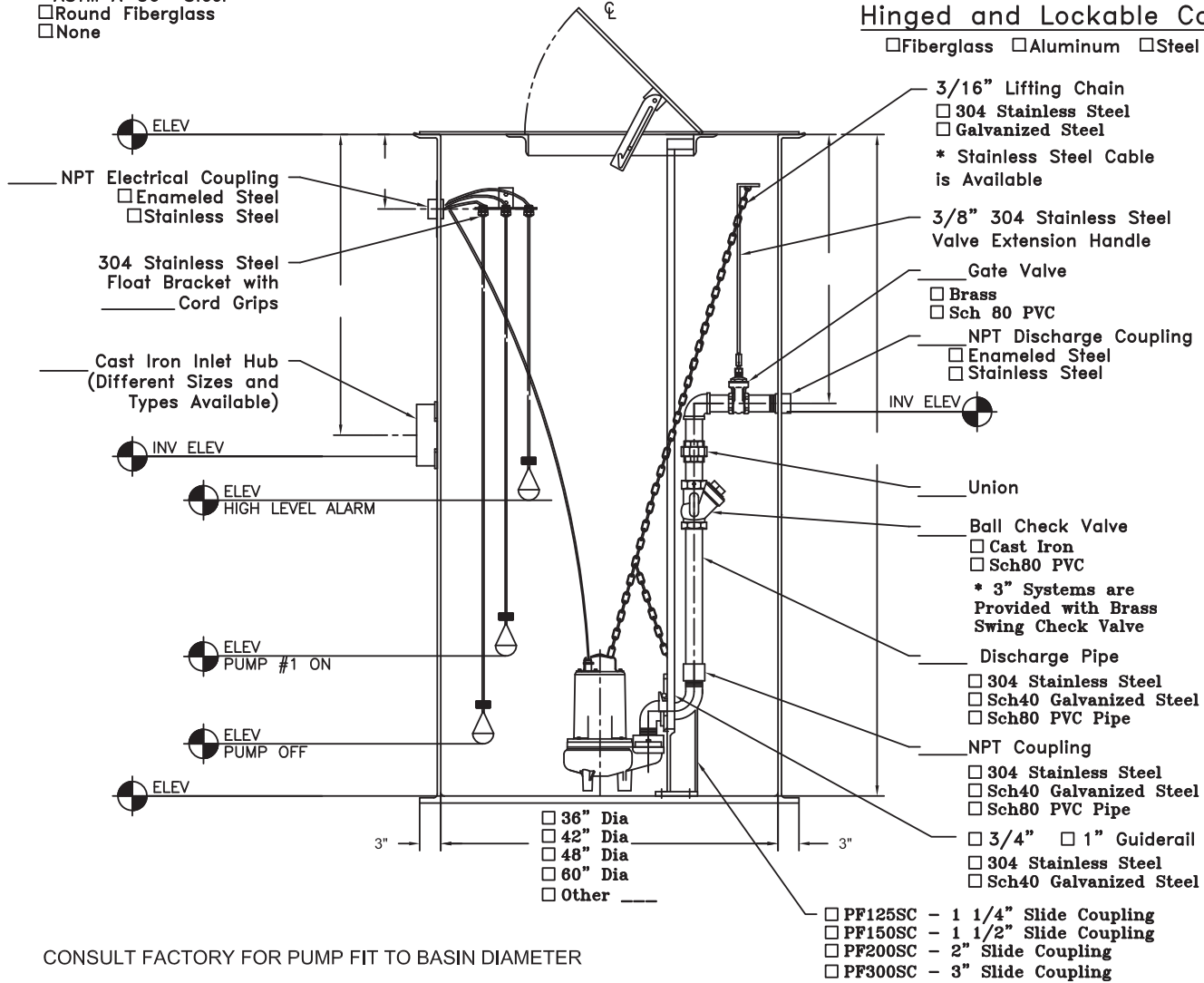
Solid Cover

- Fiberglass
 Steel



Hinged and Lockable Cover

- Fiberglass Aluminum Steel



- 3/16" Lifting Chain
 304 Stainless Steel
 Galvanized Steel

* Stainless Steel Cable is Available

- 3/8" 304 Stainless Steel Valve Extension Handle

- Gate Valve
 Brass
 Sch 80 PVC

- NPT Discharge Coupling
 Enameled Steel
 Stainless Steel

Union

- Ball Check Valve
 Cast Iron
 Sch80 PVC

* 3" Systems are Provided with Brass Swing Check Valve

- Discharge Pipe
 304 Stainless Steel
 Sch40 Galvanized Steel
 Sch80 PVC Pipe

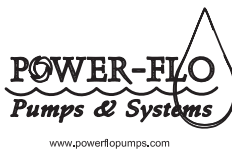
- NPT Coupling
 304 Stainless Steel
 Sch40 Galvanized Steel
 Sch80 PVC Pipe

- 3/4" 1" Guiderail
 304 Stainless Steel
 Sch40 Galvanized Steel

- PF125SC - 1 1/4" Slide Coupling
 PF150SC - 1 1/2" Slide Coupling
 PF200SC - 2" Slide Coupling
 PF300SC - 3" Slide Coupling

CONSULT FACTORY FOR PUMP FIT TO BASIN DIAMETER

| Date | Revisions |
|----------|-----------------|
| A 5/7/08 | First Released. |
| | |
| | |
| | |
| | |



This print is and contains confidential proprietary information owned exclusively by Power-Flo Pumps & Systems. It is furnished on a strictly confidential basis. This restriction includes, but is not limited to the condition that this print will not only be used as a record or to identify or inspect parts or for other information purposes and will not be used to manufacture or procure the manufacture of the items shown in this print by any other source than Power-Flo Pumps & Systems.

250 Piper Rd., Mansfield, Ohio 44905
 Phone: 877-24PUMPS Fax: 516-812-6897

Simplex Fiberglass Basin Packages
 For 1-1/4", 1-1/2", 2", 3" Discharge Pumps

Scale: none
 Drawn By: whotter
 Reference No: 16736

Simplex Package