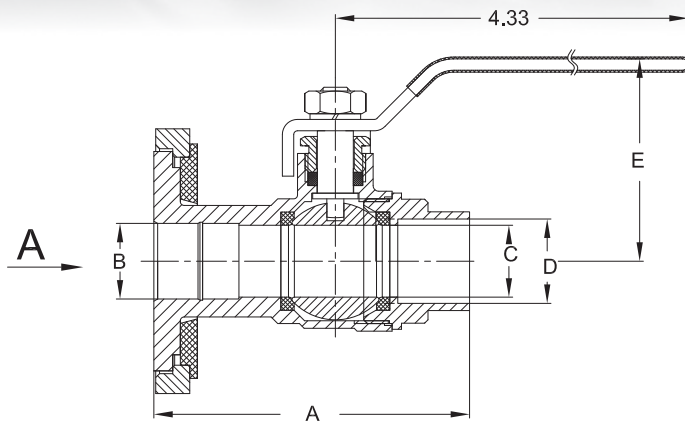
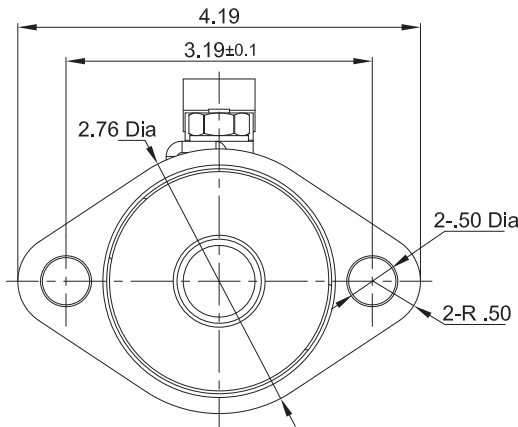


Models: PFF75BSISOS PFF1BSISOS, PFF125BSISOS



A - View



**Circulator Flanges
3/4", 1", 1-1/4"
Copper Sweat
Bronze**

Bronze copper sweat circulator flanges come with one (1) rotating flange with locking ring, two (2) bolts, two (2) hex nuts, lever handle and tee handle.

MODEL/PART NUMBER	PIPE SIZE	FLANGE MATERIAL	CONNECTION	PACKAGING	WT. lbs
PFF75BSISOS	3/4"	Bronze	Copper Sweat	Single w/nuts & bolts	2.2
PFF1BSISOS	1"	Bronze	Copper Sweat	Single w/nuts & bolts	2.23
PFF125BSISOS	1-1/4"	Bronze	Copper Sweat	Single w/nuts & bolts	2.56

MODEL/PART NUMBER	A	B	C	D	E
PFF75BSISOS	3.29	.79 Dia	.75 Dia	.88 Dia	2.11
PFF1BSISOS	3.39	1.23 Dia	.98 Dia	1.13 Dia	2.26
PFF125BSISOS	3.92	1.38 Dia	1.14 Dia	1.38 Dia	2.42

PF	F	Pipe Size 75,1,125,150	Flange Material D,B	Construction Style S, T	ISO	Packaging Detail S, P
Power-Flo	Flange	75 = 3/4" 1 = 1" 125 = 1-1/4" 150 = 1-1/2"	D = Ductile Iron B = Bronze	S = Copper Sweat T = Threaded IPS	Isolation Flange with Ball Valve and dual handle option	S = Single with nuts & bolts P = Pair with nuts & bolts

EXAMPLE: PFF75DTP - Power-Flo Pumps - Pump Flange - 3/4" - Ductile Iron - Threaded - NON-ISO - Pair with nuts & bolts.