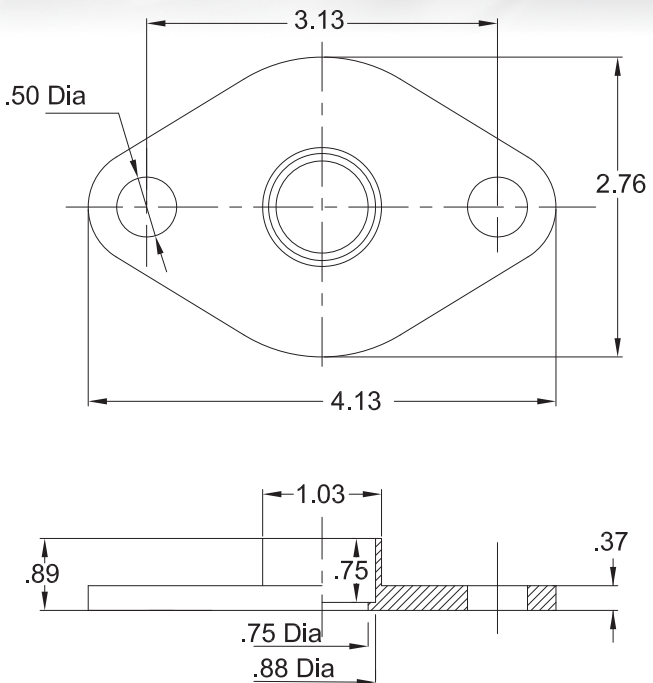


**Model: PFF75BSP**



**Circulator Flange  
3/4", Copper Sweat  
Bronze**

Bronze copper sweat circulator flanges come with a pair of (2) flanges, four (4) bolts and four (4) hex nuts.

MODEL/PART NUMBER	PIPE SIZE	FLANGE MATERIAL	CONNECTION	PACKAGING	WT. lbs
PFF75BSP	3/4"	Bronze	Copper Sweat	Pair w/nuts & bolts	1

PF	F	Pipe Size 75,1,125,150	Flange Material D,B	Construction Style S, T	ISO	Packaging Detail S, P
Power-Flo	Flange	75 = 3/4" 1 = 1" 125 = 1-1/4" 150 = 1-1/2"	D = Ductile Iron B = Bronze	S = Copper Sweat T = Threaded IPS	Isolation Flange with Ball Valve and dual handle option	S = Single with nuts & bolts P = Pair with nuts & bolts

**EXAMPLE:** PFF75DTP - Power-Flo Pumps - Pump Flange - 3/4" - Ductile Iron - Threaded - NON-ISO - Pair with nuts & bolts.