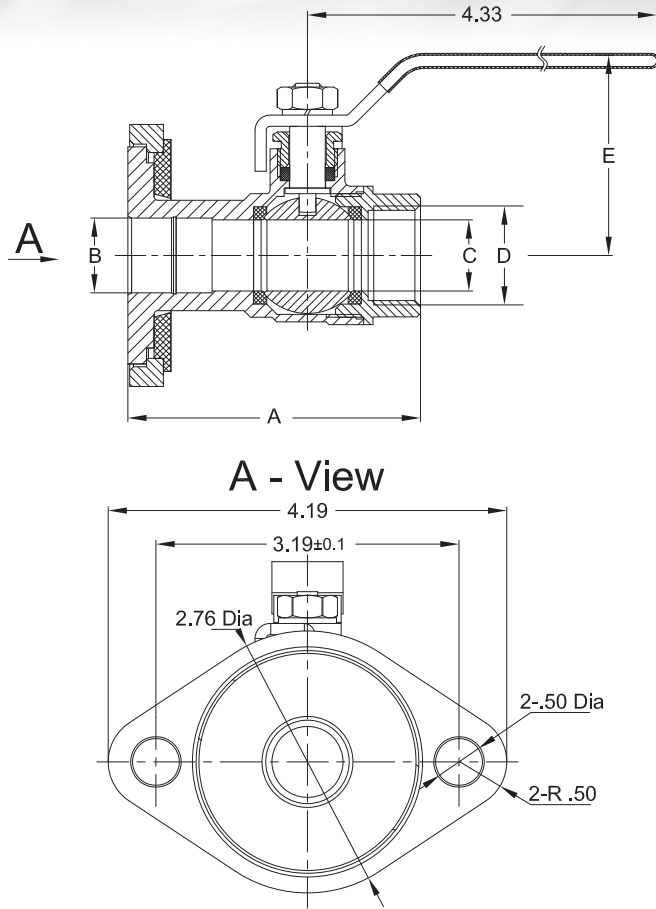


**Models: PFF75BTISOS
PFF1BTISOS, PFF125BTISOS**



**Circulator Flange
3/4", 1", 1-1/4"
Threaded
Bronze**



Bronze threaded circulator flanges come with one (1) rotating flange with locking ring, two (2) bolts, two (2) hex nuts, lever handle and tee handle.

MODEL/PART NUMBER	PIPE SIZE	FLANGE MATERIAL	CONNECTION	PACKAGING	WT. lbs
PFF75BTISOS	3/4"	Bronze	Threaded IPS	Single w/nuts & bolts	2.2
PFF1BTISOS	1"	Bronze	Threaded IPS	Single w/nuts & bolts	2.23
PFF125BTISOS	1-1/4"	Bronze	Threaded IPS	Single w/nuts & bolts	2.56

MODEL/PART NUMBER	A	B	C	D	E
PFF75BTISOS	3.08	.79 Dia	.75 Dia	3/4" NPT	2.11
PFF1BTISOS	3.17	1.23 Dia	.98 Dia	1" NPT	2.26
PFF125BTISOS	3.48	1.38 Dia	1.14 Dia	1-1/4" NPT	2.42

PF	F	Pipe Size 75,1,125,150	Flange Material D,B	Construction Style S, T	ISO	Packaging Detail S, P
Power-Flo	Flange	75 = 3/4" 1 = 1" 125 = 1-1/4" 150 = 1-1/2"	D = Ductile Iron B = Bronze	S = Copper Sweat T = Threaded IPS	Isolation Flange with Ball Valve and dual handle option	S = Single with nuts & bolts P = Pair with nuts & bolts

EXAMPLE: PFF75DTP - Power-Flo Pumps - Pump Flange - 3/4" - Ductile Iron - Threaded - NON-ISO - Pair with nuts & bolts.