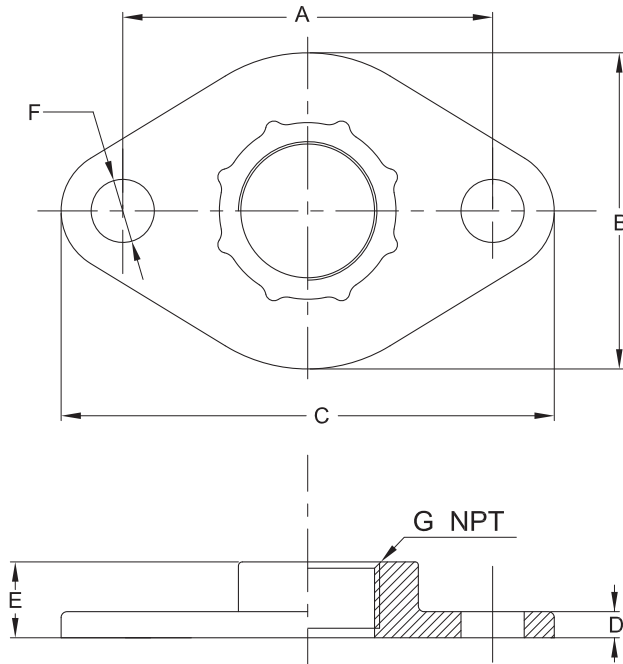


**Models: PFF75DTP  
PFF1DTP, PFF125DTP**



**Circulator Flange  
3/4", 1", 1-1/4", Threaded,  
Ductile Iron**

Threaded ductile iron circulator flanges come with pair of (2) flanges, four (4) bolts and four (4) hex nuts.

MODEL/PART NUMBER	PIPE SIZE	FLANGE MATERIAL	CONNECTION	PACKAGING	WT. lbs
PFF75DTP	3/4"	Ductile Iron	Threaded IPS	Pair w/nuts & bolts	2.7
PFF1DTP	1"	Ductile Iron	Threaded IPS	Pair w/nuts & bolts	2.6
PFF125DTP	1-1/4"	Ductile Iron	Threaded IPS	Pair w/nuts & bolts	2.6

MODEL/PART NUMBER	A	B	C	D	E	F	G
PFF75DTP	3.13	2.76	4.13	.39	1.26	.50 Dia.	3/4" NPT
PFF1DTP	3.13	2.76	4.13	.39	1.26	.50 Dia.	1" NPT
PFF125DTP	3.13	2.76	4.13	.39	1.26	.50 Dia.	1-1/4" NPT

PF	F	Pipe Size 75,1,125,150	Flange Material D,B	Construction Style S,T	ISO	Packaging Detail S,P
Power-Flo	Flange	75 = 3/4" 1 = 1" 125 = 1-1/4" 150 = 1-1/2"	D = Ductile Iron B = Bronze	S = Copper Sweat T = Threaded IPS	Isolation Flange with Ball Valve and dual handle option	S = Single with nuts & bolts P = Pair with nuts & bolts

**EXAMPLE:** PFF75DTP - Power-Flo Pumps - Pump Flange - 3/4" - Ductile Iron - Threaded - NON-ISO - Pair with nuts & bolts.