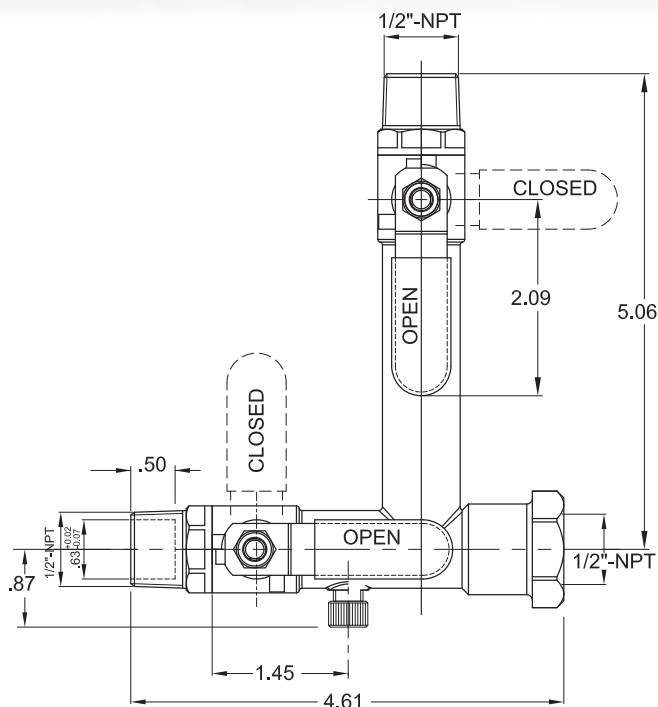


Model: PFIV1212



**Expansion Tank
Fill Valve Isolation Tee
PFIV1212**

Isolates both expansion tank and fill valve.

MODEL/PART NUMBER	MATERIAL	CONNECTION	WT. lbs
PFIV1212	Bronze	1/2" M x 1/2N x 1/2" F	1.15