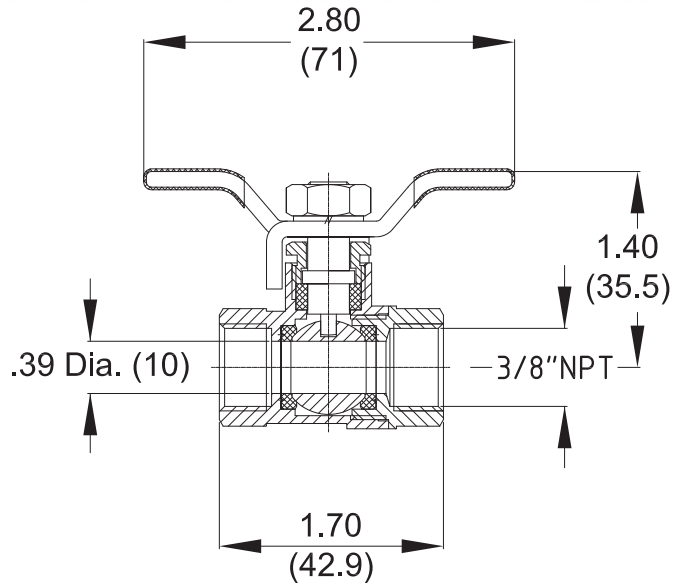


Models: PFOTV3838  
PFOTL1238



**Oil Tank Valve**  
**PFOTV3838**  
**3/8" F x 3/8" F**



The Oil Tank Ball Valve with steel "T" handle is used with the Oil Tank Elbow for use on bottom drain oil tanks.



**Oil Tank Elbow**  
**PFOTL1238**  
**1/2" NPT x 3/8" NPT**

The Oil Tank Elbow is for bottom drain oil tanks and is of heavy duty schedule 40 steel. It extends 2" past outside of tank allowing easy connection of isolation valves. Inline fusible oil valve can be placed after the isolation valve. Powder coated for use indoors or outdoors. Dimensions; 2-1/2" x 6"