

Model: PFS531PKG-2424, PFV512PKG-2424

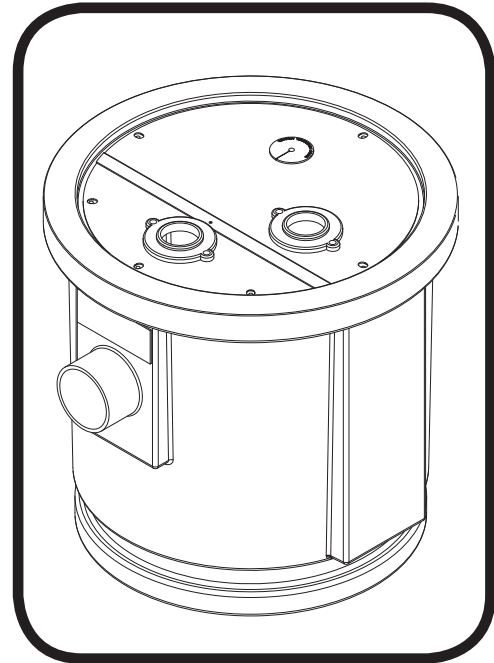
Features:

Simplex (one pump) sewage ejector systems are ideal for residential, small commercial, light industrial and agricultural liquid waste applications. These packaged systems are designed to collect liquids and solid waste materials from lavatories, floor drains, sinks, showers, laundry trays, water closets, etc. When the level in the basin rises to the pre-set ON level the pump will energize and evacuate the collected liquid waste. The packaged system includes the pump, float control, basin, basin cover and discharge pipe. Optional tank sizes, pump sizes, high level alarm option and duplex systems are available upon request.

- **BASIN:** Durable, Corrosion Resistant Polyethylene Resin, Recessed Roll Top Design and Encapsulated Inserts 24" x 24", 3/16" Wall Thickness, Weight 23 LBS.
- **INLET:** 4" Inlet
- **DISCHARGE:** 2" Schedule 40 PVC pipe w/Air Bleed Hole, 2" Grommet Fitting
- **DISCHARGE FITTINGS:** 2" Full-Flow Rubber Sleeve
- **VENT:** 2" Grommet Fitting (Pipe by others)
- **BASIN COVER:** 24" 2-Piece, 2 Hole Electrical Cord Grommet, 2" Plastic Slip Flanges (Vent & Disch.), w/O-ring Seal
- **SEWAGE PUMP:** 1/2HP Models Available, Cast iron Construction, Oil Filled Motor Housing, Carbon/Ceramic Seals, Thermal Overload Protection
- **WARRANTY:** 1 year

 **WARNING: CANCER AND REPRODUCTIVE HARM-**
WWW.P65WARNINGS.CA.GOV

* Consult factory for optional size basins, larger pumps and duplex package systems.



**Sewage Ejector Systems
 2" Discharge,
 Simplex**

Sewage Pump Package 24" Dia. x 24" Deep- 1/2 HP

MODEL	HP	VOLTS	PHASE	MAX FLOW (GPM)	MAX HEAD (FT)	DISCH SIZE
PFS531PKG-2424	1/2	115	1	60	22	2"
PFV512PKG-2424	1/2	115	1	86	25	2"



Power-Flo Pumps & Systems

a Power-Flo Technologies company

877-24PUMPS • fax: 516-812-6897 • www.powerflopumps.com

Sect.
 S
 Page
 35
 Rev.
 02/2021

Model: PFS531PKG-2424, PFV512PKG-2424

Sewage Pump Package 24" Dia. x 24" Deep- 1/2 HP

