

**Model: PFSWCPC75201451T10
PFSWCPC75201452T10**

Features:

Submersible sewage pump designed for typical raw sewage and typical septic tank/effluent applications.

- **DISCHARGE:** 2" NPT Male, Vertical
- **LIQUID TEMPERATURE:** 32°-131°F
- **MOTOR HOUSING:** Cast Iron
- **IMPELLER:** Corrosion-resistant, reinforced Thermoplastic
- **PUMP BASE:** Cast Iron
- **SHAFT:** Stainless Steel
- **HARDWARE:** Stainless steel
- **GASKET:** Rubber
- **SEAL:** Single mechanical, Carbon/Ceramic/Stainless Steel
- **UPPER BEARING:** Single row, ball, oil lubricated
- **LOWER BEARING:** Single row, ball, oil lubricated
- **POWER CORD:** **115V** - SJTW, 16AWG/3C Cord with plug, **230V** - SJTW, 18AWG/3C Cord with Plug
- **MOTOR:** Energy efficient Permanent Split Capacitor (PSC), Oil filled, Class B insulation, Continuous duty (water depth must be at least 6" to prevent motor from overheating), Auto reset thermal overload protector, Circuit requirements; **115V** - 20 AMPS, **230V** - 10 AMPS
- **LEVEL CONTROL:** Wide Angle Tethered, Mechanical, Normally Open (N/O), Reinforced thermoplastic, **115V** - SJOW 16AWG/2C, **230V** - SJOW 18AWG/2C 10 Ft. cord w/Piggy-back plug, On point - 16.5", Off point - 8.7"
- **WARRANTY:** 3 year

 **WARNING: CANCER AND REPRODUCTIVE HARM-**
WWW.P65WARNINGS.CA.GOV



**Submersible Sewage Pump
2" Discharge,
2" Spherical Solids
Wide Angle Tethered Float**



MODEL	HP	Hz	Volts/Ph	RPM	FL AMPS	Cord Length	Wt.
PFSWCPC75201451T10	3/4	60	115/1	1750	9.5	10 ft	32.3 lbs
PFSWCPC75201452T10	3/4	60	230/1	1750	4.7	10 ft	32.3 lbs

HEAD in Ft	0 Ft	5 Ft	10 Ft	15 Ft	Max Lift	Max Pressure
FLOW Gallon/Minute	145	125	100	65	20 Ft	8.8 psi
FLOW Gallon/Hour	8700	7500	6000	3900		



PF	TYPE U, SP, SW	Motor Housing P, C	Impeller Type P, C	Suction Plate Type P, C	Motor HP 25, 33, 50, 75, 1	30	50	Voltage 1 or 2	Float Switch Type M, F, T	Cord Length 10, 20
Power-Flo	U = Utility SP = Sump Pump SW = Sewage Pump	P = Plastic C = Cast Iron	P = Plastic C = Cast Iron	P = Plastic C = Cast Iron	25 = 1/4 HP 33 = 1/3 HP 50 = 1/2 HP 75 = 3/4 HP 1 = 1 HP	Shut Off Head (ft)	Max Flow (Gal)	1 = 115 V 2 = 230V	M = Manual F = Fixed Vertical T = Tethered	10 Ft 20 Ft

EXAMPLE: PFSWCPC3330501T10 - Power-Flo Pumps - Sump Pump - Cast Iron Motor Housing - Plastic Impeller - Cast Iron Suction Plate - 1/3HP - 30' Shut Off Head - 50 GPM Max Flow - 115 Volt - Tethered Float - 10' Cord



Power-Flo Pumps & Systems

a Power-Flo Technologies company

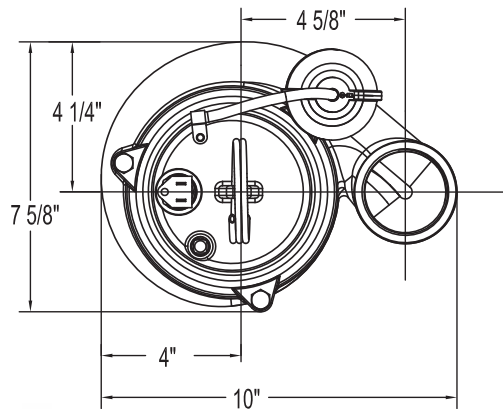
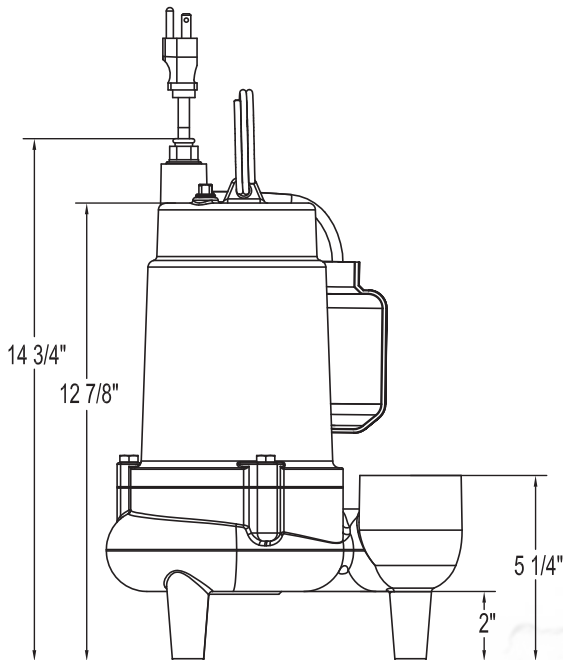
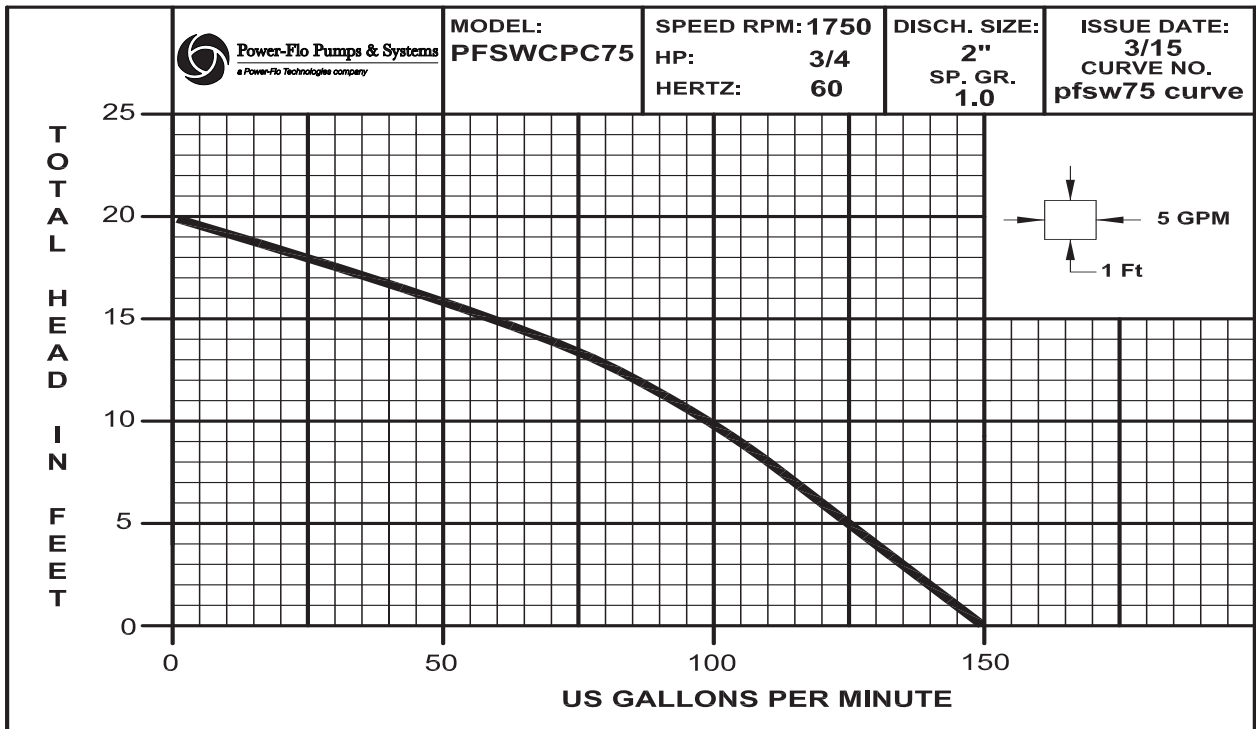
877-24PUMPS • fax: 516-812-6897 • www.powerflopumps.com

Sewage Pumps - 3/4HP - 115V & 230V - Cast Iron - 1750 RPM - 60Hz

Sect. 5
Page 12.7
Rev. 02/2021

Sewage Pumps - 3/4HP - 115V & 230V - Cast Iron - 1750RPM - 60 Hz

**Model: PFSWCPC75201451T10
PFSWCPC75201452T10**



PF	TYPE U, SP, SW	Motor Housing P, C	Impeller Type P, C	Suction Plate Type P, C	Motor HP 25, 33, 50, 75, 1	30	50	Voltage 1 or 2	Float Switch Type M, F, T	Cord Length 10, 20
Power-Flo	U = Utility SP = Sump Pump SW = Sewage Pump	P = Plastic C = Cast Iron	P = Plastic C = Cast Iron	P = Plastic C = Cast Iron	25 = 1/4 HP 33 = 1/3 HP 50 = 1/2 HP 75 = 3/4 HP 1 = 1 HP	Shut Off Head (ft)	Max Flow (Gal)	1 = 115 V 2 = 230V	M = Manual F = Fixed Vertical T = Tethered	10 Ft 20 Ft

EXAMPLE: PFSPCPC3330501T10 - Power-Flo Pumps - Sump Pump - Cast Iron Motor Housing - Plastic Impeller - Cast Iron Suction Plate - 1/3HP - 30' Shut Off Head - 50 GPM Max Flow - 115 Volt - Tethered Float - 10' Cord

