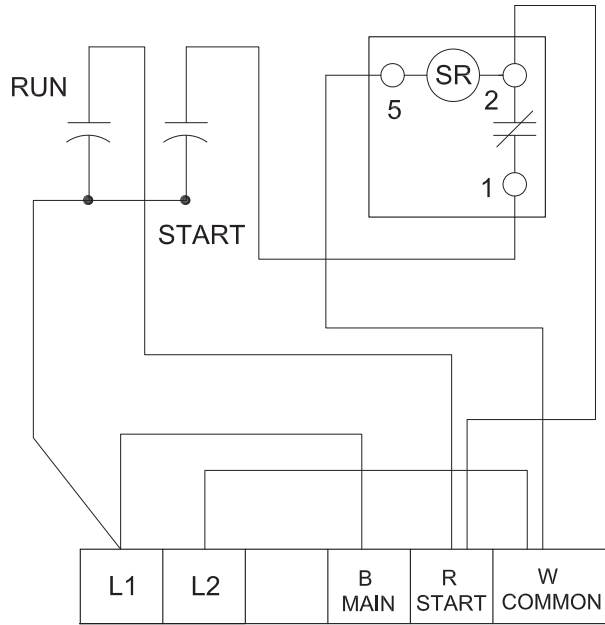


# For Use in Customer's Single Phase Control Panel

## Features:

- Start Capacitor
- Run Capacitor
- Start Relay



**Capacitor / Relay Packs  
Single Phase Pumps  
For use in Customer's  
Control Panel**

PART No.	PUMP MODEL/DESCRIPTION	VOLTS/PH	HP
PF88243	PFG2002HV, PFG2002HH Start Capacitor - MARS 11049, 145-175 mfd, 250 volt Run Capacitor - MARS 12037 (round 12237), 20mfd, 440 volt Start Relay - MARS 169, #19169	200/1	2
PF73306	PFG2022HV, PFG2022HH Start Capacitor - MARS 11049, 145-175mfd, 250 volt Run Capacitor - MARS 12048 (round 12248), 45mfd, 440 volt Start Relay - MARS 169, #19169	230/1	2
PF73303	PFG3022 ( <b>Before Sept. 2010</b> ) Start Capacitor - MARS 11053, 233-292mfd, 250 volt Run Capacitor - MARS 12014 (round 12221), 20mfd, 370 volt Start Relay - MARS 65, #19004	230/1	3
PF73304 PF73305	PFG3022 ( <b>after Sept. 2010</b> ) & PFG5022 Start Capacitor - MARS 11051, 189-227mfd, 250 volt Run Capacitor - MARS 12021 (round 12221), 40mfd, 370 volt Start Relay - MARS 64, # 19164	200/1 230/1	5
PF73301	PF4NC4524 , PF4NC7524 Start Capacitor - MARS 11053, 233-280mfd, 250 volt Run Capacitor - MARS 12087 (round 12227), 60mfd, 370 volt Start Relay - MARS 64, # 19164	230/1	4.5 7.5



**WARNING:** CANCER AND REPRODUCTIVE HARM-  
WWW.P65WARNINGS.CA.GOV



**Power-Flo Pumps & Systems**

a Power-Flo Technologies company

877-24PUMPS • fax: 516-812-6897 • www.powerflopumps.com

**Accessories - Capacitor / Relay Packs**

Sect.  
AC  
Page  
63  
Rev.  
02/2021