

Models: PF6NC9096, PF6NC9046, PF6NC12096, PF6NC12046, PF6NC18096, PF6NC18046, PF6NC24096, PF6NC24046, PF6NC30096, PF6NC30046



Submersible Solids Handling 6" Discharge, 3" Spherical Solids, Double Seal

Features:

Submersible solids handling sewage pump designed for typical raw sewage applications.

- **DISCHARGE:** 6" 125 lb., ANSI Flange, Horizontal
- **LIQUID TEMPERATURE:** 104°F
- **MOTOR HOUSING, VOLUTE & SEAL PLATE:** Cast Iron, Class 30
- **IMPELLER:** Single vane enclosed type with pump out vanes on back side, Dynamically balanced, ISO G6.3, Cast Iron, Class 30
- **SHAFT & HARDWARE:** Stainless steel
- **PAINT:** Air dry enamel
- **SQUARE RINGS:** Buna-N
- **SEAL:** Double mechanical, 1.875 inch, Oil Filled pressure equalized reservoir, Carbon/Ceramic/Buna-N inner seal, Silicon Carbide/Buna-N outer seal
- **UPPER BEARING:** Single row, ball, oil lubricated
- **LOWER BEARING:** Double row, ball, oil lubricated
- **POWER CORD:** 25 Ft., G type cord. Epoxy sealed housing with secondary Pressure grommet for sealing and strain relief.
- **SENSOR CORD:** 25 Ft. 18/5, 0.476" O.D., SOW Cord.
- **MOTOR:** Class F Insulation, Oil Filled
- **THREE PHASE:** 230/460 Volt. Dual Voltage. Requires overload protection to be included in control panel.
- **SEAL LEAK SENSOR:** Normally open (N/O), 2 probe design. requires relay in control panel. (Included in listed panels)
- **TEMPERATURE SENSOR:** Normally closed (N/C), requires relay in control panel. (Included in listed panels)
- **WARRANTY:** 1 year



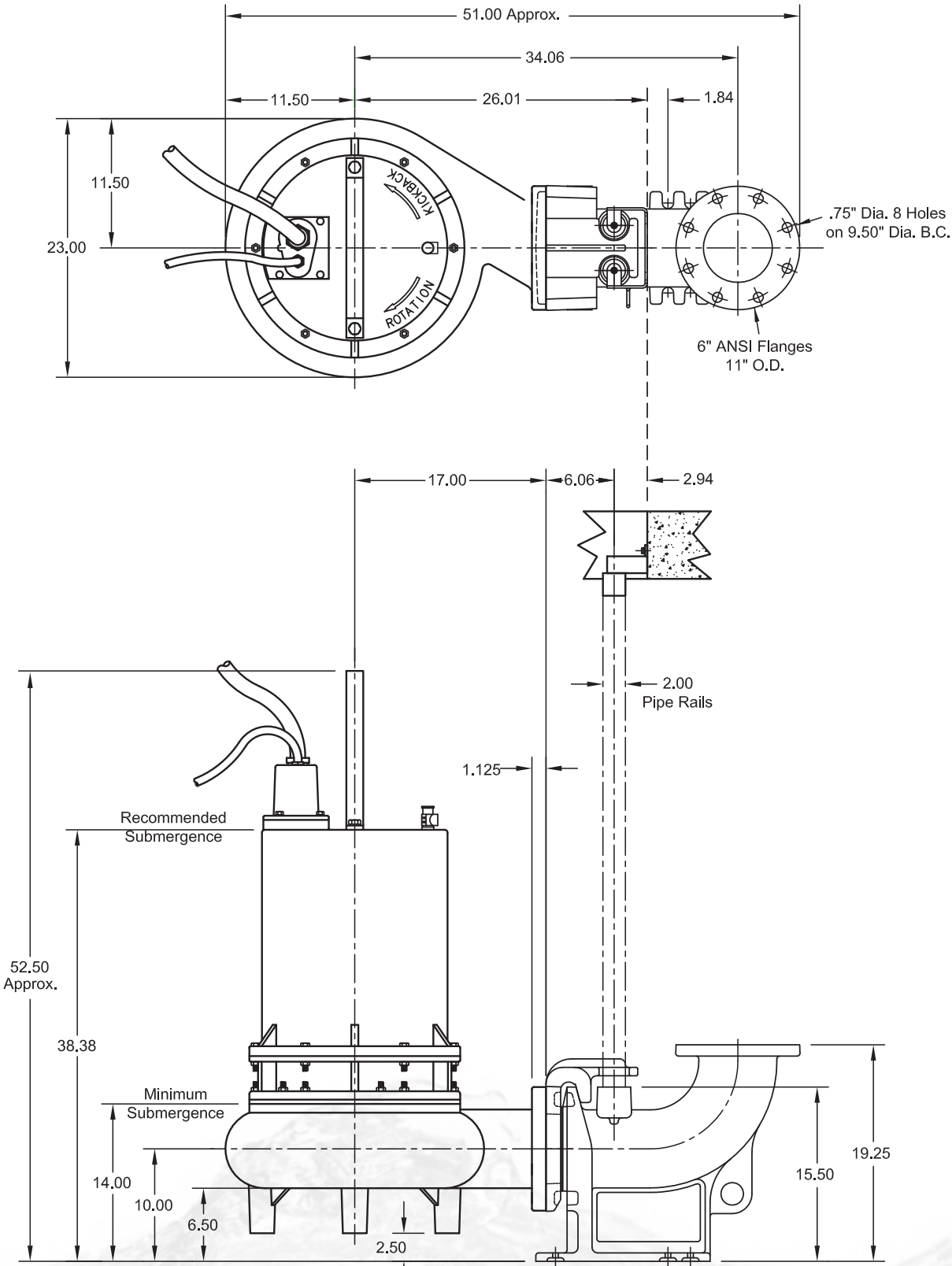
WARNING: CANCER AND REPRODUCTIVE HARM-
WWW.P65WARNINGS.CA.GOV

MODEL	HP	Volts/Ph	NEMA START CODE	FULL LOAD AMPS	LOCKED ROTOR AMPS	CORD SIZE	CORD TYPE	CORD O.D. inch	SIMPLEX PANEL P/N	DUPLEX PANEL P/N
PF6NC9096	9	230/3	F	26.0	162.0	2/3-3G	G	1.34	PF1094-OST-32	PF2094-OST-32
PF6NC9046	9	460/3	J	13.0	81.0	2/3-3G	G	1.34	PF1095-OST-20	PF2095-OST-20
PF6NC12096	12	230/3	D	36.0	162.0	2/3-3G	G	1.34	PF1124-OST-65	PF2124-OST-65
PF6NC12046	12	460/3	F	18.0	81.0	2/3-3G	G	1.34	PF1125-OST-20	PF2125-OST-20
PF6NC18096	18	230/3	C	50.0	232.0	2/3-3G	G	1.34	PF1184-OST-65	PF2184-OST-65
PF6NC18046	18	460/3	F	25.0	116.0	2/3-3G	G	1.34	PF1185-OST-25	PF2185-OST-25
PF6NC24096	24	230/3	C	64.0	290.0	2/3-3G	G	1.34	PF1244-OST-65	PF2244-OST-65
PF6NC24046	24	460/3	E	32.0	145.0	2/3-3G	G	1.34	PF1245-OST-32	PF2245-OST-32
PF6NC30096	30	230/3	C	82.0	364.0	2/3-3G	G	1.34	PF1304-OST-95	PF2304-OST-95
PF6NC30046	30	460/3	E	41.0	182.0	2/3-3G	G	1.34	PF1305-OST-65	PF2305-OST-65

Seal Leak Sensor Relay kit PF0861 and Temperature Sensor Relay Kit PF0876 are available for panels by others.



**Models: PF6NC9096, PF6NC9046, PF6NC12096, PF6NC12046,
 PF6NC18096, PF6NC18046, PF6NC24096, PF6NC24046,
 PF6NC30096, PF6NC30046**



Pump shown with PF600SC Slide Coupling. Slide Coupling sold separately.



877-24PUMPS • fax: 516-812-6897 • www.powerflopumps.com

6" Solids Handling Pumps - 9, 12, 18, 24 & 30HP - 1150RPM - 60Hz

6" Solids Handling Pumps - 9, 12, 18, 24 & 30HP - 1150RPM - 60Hz

Models: PF6NC9096, PF6NC9046, PF6NC12096, PF6NC12046, PF6NC18096, PF6NC18046, PF6NC24096, PF6NC24046, PF6NC30096, PF6NC30046

